

Electronic target (U8E), 100-300m

Target designed for 100m-300m ranges with supersonic ammunition.

Normal aiming points and human/animal targets can be mounted.

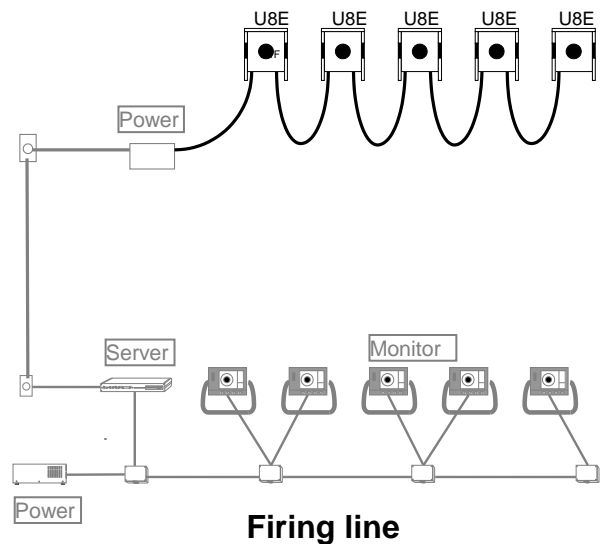
The target frame is made of solid wood.

3 sensors are mounted at the bottom of the target, with inspection opening in front and rear.

The lowest 20 cm of the acoustic measuring chamber, has to be covered in front in order to secure the sensors.

The target has an adjustable horizontal and vertical rubber band to seal the acoustic chamber.

Target line



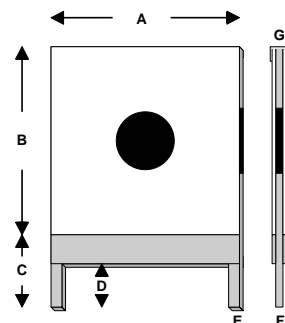
Recommended use :

- 100m – 300m
Supersonic ammunition

Technical :

Dimensions:

A	1160 mm
B	1300 mm
C	500 mm
D	300 mm
E	68 mm
F	36 mm
G	92 mm



Temperature range - 30°C to + 60°C

Horizontal rubber band..... 3 x 400 mm

Vertical rubber band 2 x 450 x 3000mm

Weight approx 25 kg

Supplementary equipment :

Specific aiming images.